

A Compact Visual Acuity Chart for Economy of Space
and a Comfortable Dispensing Environment

CC-3000

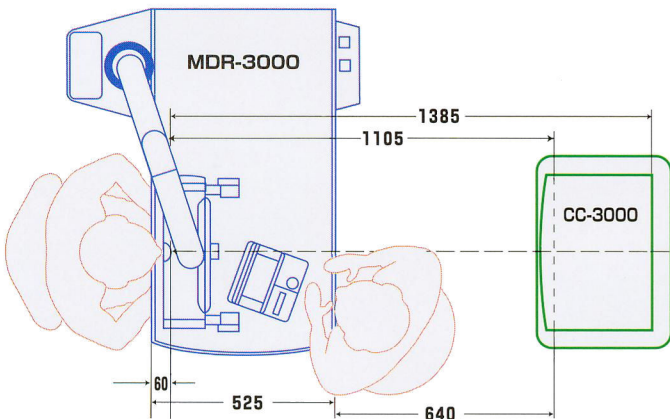
HOYA's Compact Chart CC-3000



PROVIDES THE SUBJECT WITH A COMFORTABLE AND NATURAL VISION

HOYA'S NEW COMPACT CHART ENABLES YOU TO CARRY OUT A STANDARD 5m ACUITY TEST AT A 1.1m DISTANCE

A standard 5m acuity test may be carried out at a distance as short as 1.1 meters, making it possible to organize your dispensing work in a more efficient way by combining it with HOYA's MDR-3000 and to create an agreeable environment for your customers, as well.



ALSO AVAILABLE FROM HOYA ARE A PRESENTABLE STAND AND A CONTROLLER FOR DISPLAYING THE TARGETS ON A SMALL LCD SCREEN

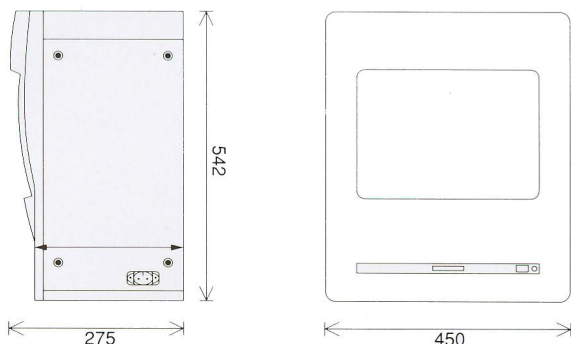


<Stand for use with the CC-3000>



<Target Control Monitor>

CC-3000 Dimensions (in mm)

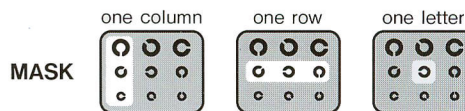


A LARGE TARGET WINDOW AND EASY-TO-RECOGNIZE TARGETS ENABLE YOU TO CARRY OUT MORE PRECISE MEASUREMENTS

The wider target window and clear and easy-to-recognize targets in the charts suppress the fusion stimulus, enabling more precise measurements. Its mirror adjusting mechanism enables the instrument to direct the aligning light projected from the main section of this chart projector at the correct height for the subject by simply adjusting it to the height of the subject's eyes. Such labor-saving inventions enable relatively inexperienced staff people to carry out acuity tests on this chart.

AS MANY AS 50 DIFFERENT CHARTS ARE AVAILABLE WITH AN INGENUOUS MASKING SYSTEM, AS WELL AS A COMPLETE SET OF TARGET DISPLAY PROGRAM

RED/GREEN TEST 	POLARIZING FILTER RED/GREEN TEST 	ASTIGMATIC DIAL 	CROSS CYLINDER 	CROSS RING 	ASSOCIATED PHORIA
STEREO TEST 	CLOCK DIAL 	WORTH 4-DCT 	ANTISEKONIA 	ANTISEKONIA 	ASSOCIATED PHORIA
ALPHABET 	SNELLEN E's 	NUMBERS 	LANDOLT RINGS 	PICTURES 	HORIZONTAL LINE
					VERTICAL LINE
					POLA-BALANCE
					POLA-BALANCE
					ACUITY
					ACUITY



CC-3000 Performance & Specifications

Distance to the Chart Screen	5m
Installed Distance	1,105mm (from the front face of the instrument body to the eyes of the subject)
Chart Switching Method	Wireless control
Time Required for Switching Charts	0.5 sec. (average)
Type of Targets	50
Type of Masking	One line down, one row across and one letter
Filtering	R&G filter
Auto Programming	Two sets of a maximum of 50 steps in each set
Lamp	Halogen Lamp 12V
Automatic Turn-off	15 minutes
Power Rating	100V 50/60Hz
Power Consumption	100VA
Dimensions	W450×D275×H542 (in mm)
Weight	32 kgs
Options	A pair of R&G glasses/A pair of Polarizing glasses/Stand/Target Control Monitor